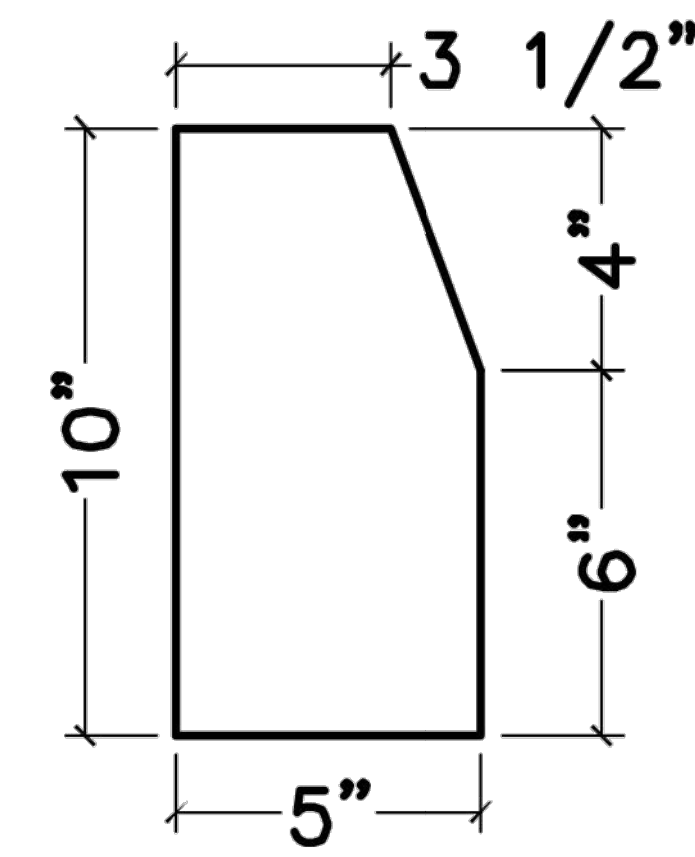
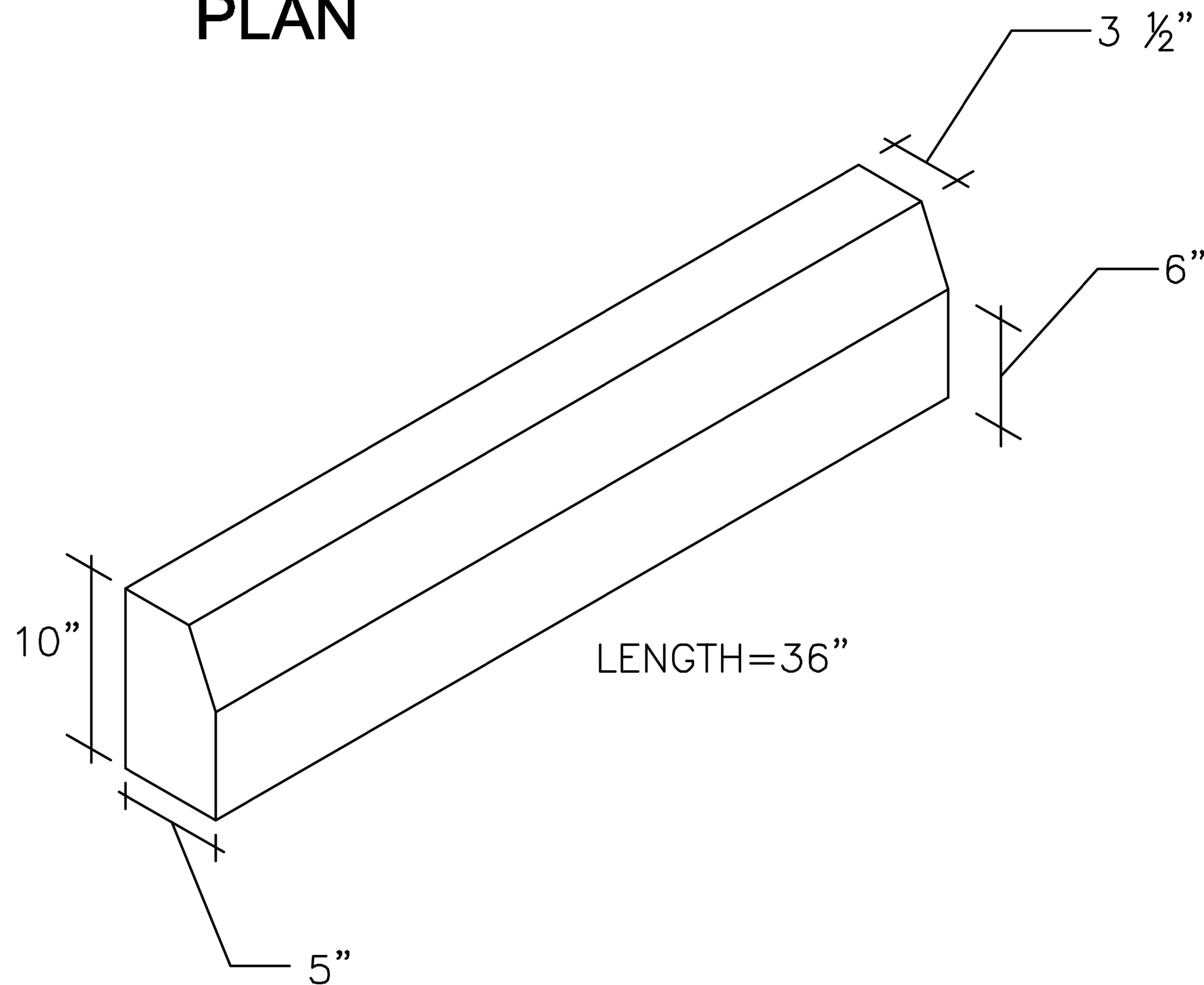


PLAN



SIDE ELEV.



Other Options:

Curbs come in radiuses from 2', 3', 4', 6', 8', 12', and 15'.

Concrete Curbs are produced with 3500 psi fiber reinforced concrete

	Curbs
PRICE	\$ 20.00 (delivery not included)



CURBS

DRAWN BY: FSS

CHECKED BY: MJ/JP

SCALE: NTS

Phone: 945-8495
 Fax: 945-4808
 Email: info@ciprecast.com.ky