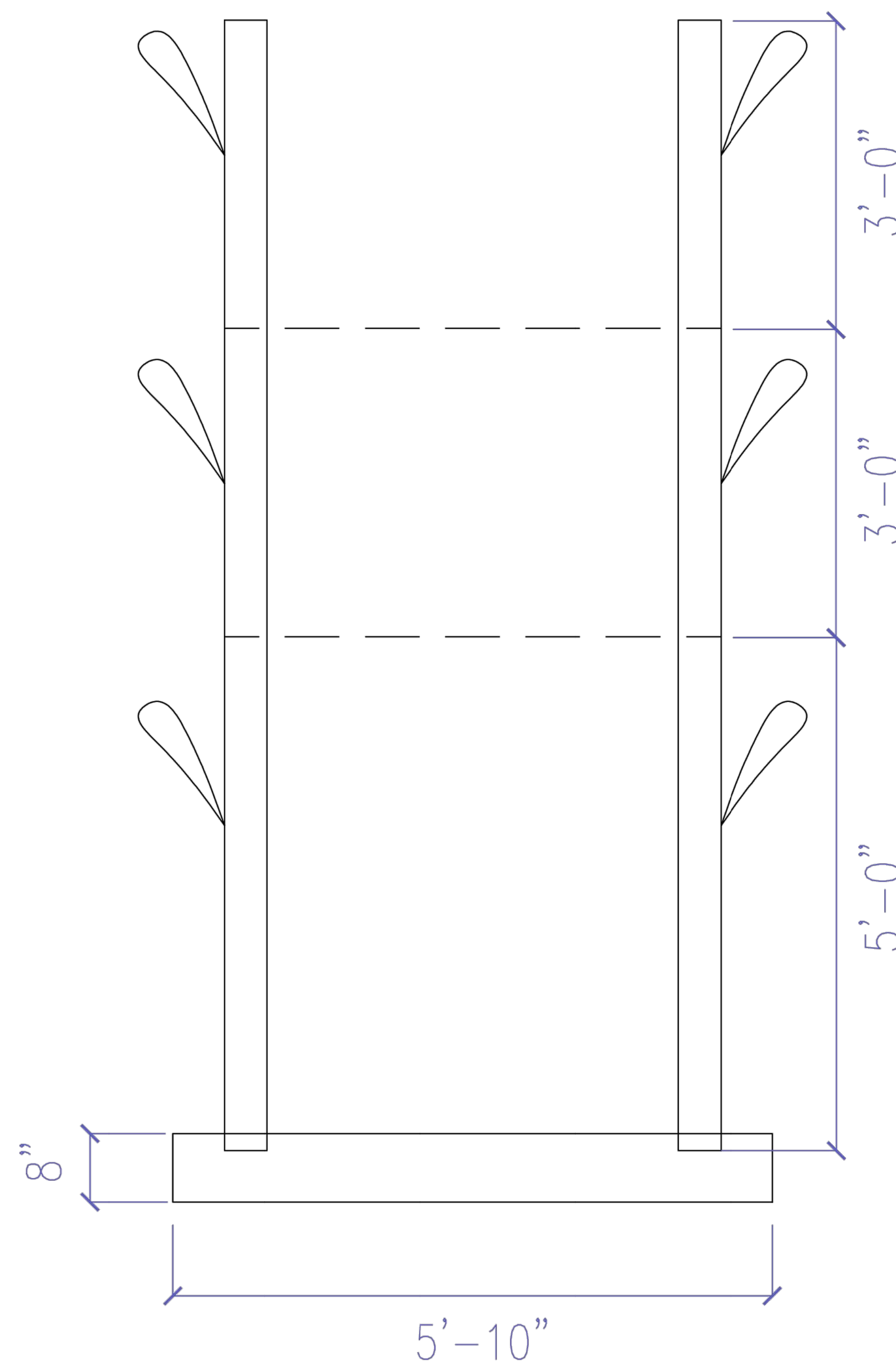
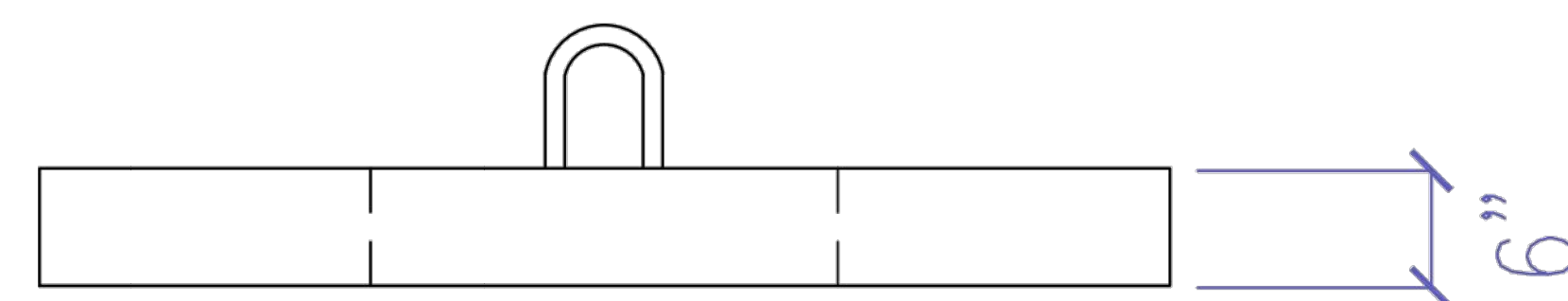


6" Thick Base

Hole Option	Price
4"	\$ TBD
6"	\$ TBD
8"	\$ TBD
10"	\$ TBD



Lift Station made w/ 3500 PSI Concrete with 6x6  $\frac{5}{8}$  w.m.m. re-inforcement.

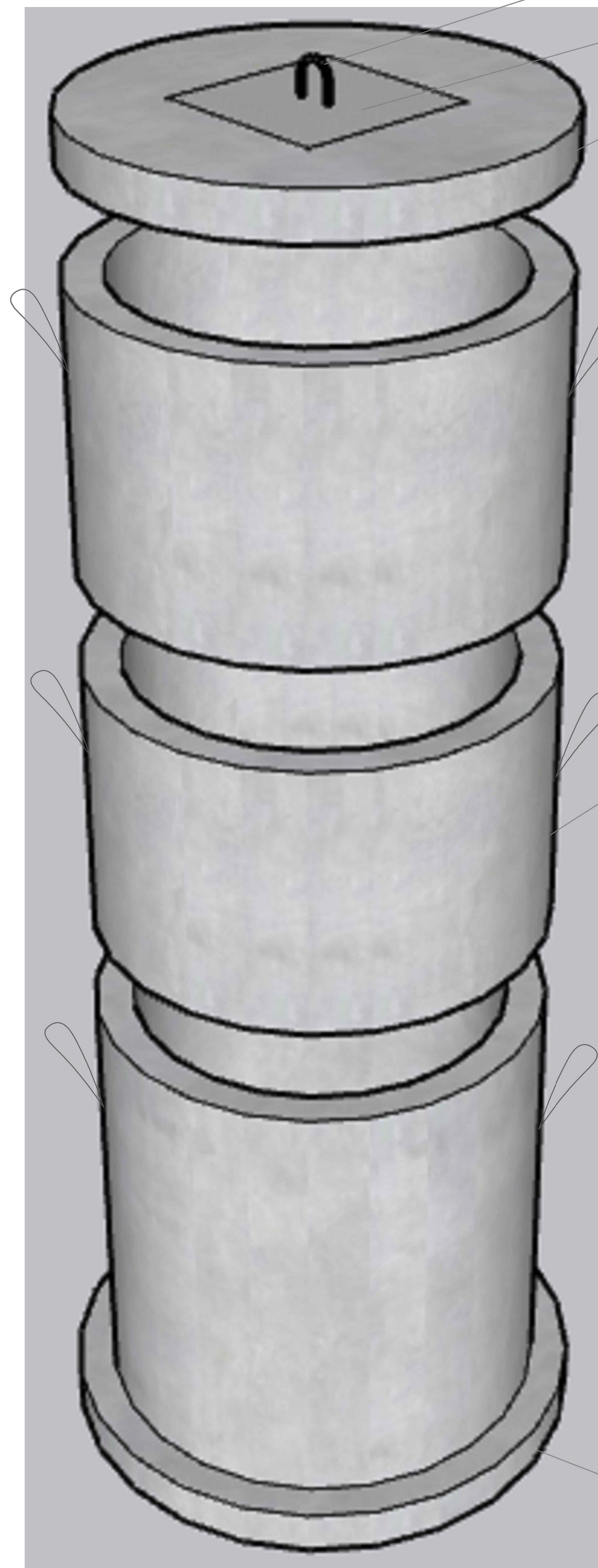
Lift Station can be customized to include water tight pipe boots and specific heights. Cover design to include access opening.

Joints are sealed with a  $\frac{1}{2}$ " Mastic strip

Linear coating required for Building code (up to customer)

With up to 5' extension (6" Lid not included)

PERSPECTIVE



HOOK

24x24 Opening

6" Lift Station Lid

Aircraft cable handle

5" THICK CONCRETE CYLINDER

8" CONCRETE PAD

Lift Station	
Size	Price
Base Section	
Lift Section	
6" Lid	

\*\* Additional charges for delivery  
 \$125.00(GT) \$150.00(Sav./WB)  
 \$175.00(BT to FS) \$200.00 (EE, NS, RP)

LIFT STATION

DRAWN BY: Ralph Pangan

CHECKED BY: Spencer Sothmann

SCALE: NTS

Phone: 945-8495  
 Fax: 945-4808  
 Email: info@ciprecast.com.ky

