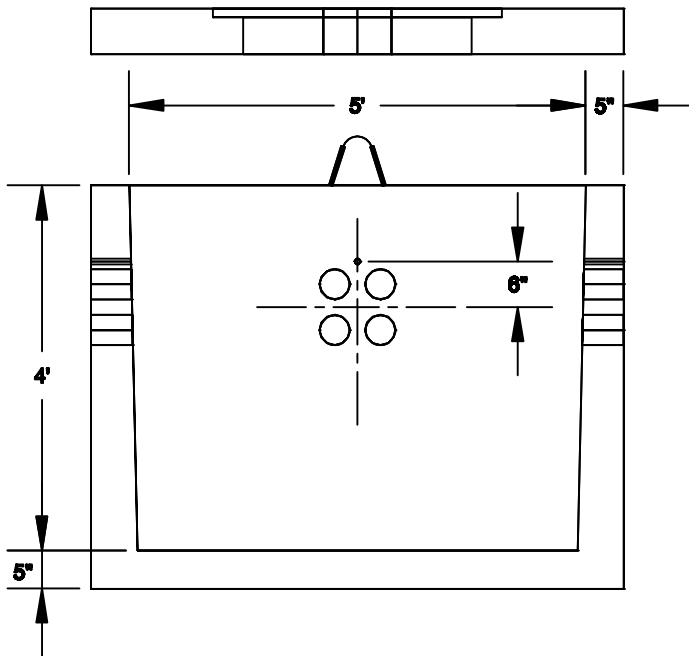
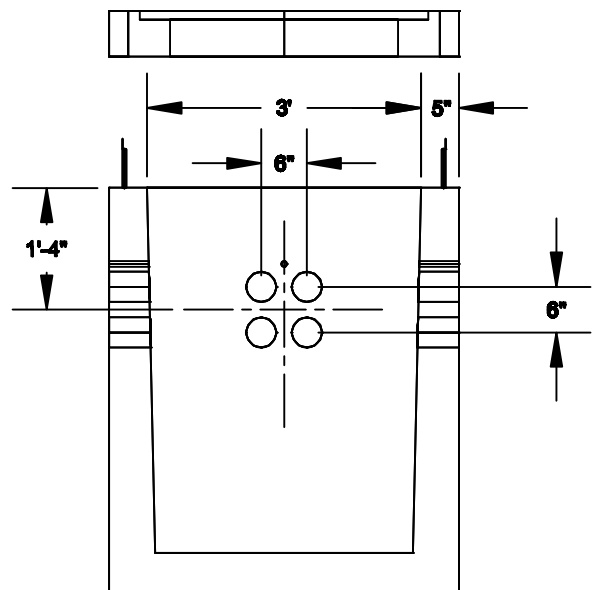


Exploded View

All walls, lid and floor reinforced with
 with #4 rebar 12" o.c. e.w.
 Concrete to be 3000 PSI at 28 days.



Front Elevation



End Elevation

C. I. Precast

354 Telecommunications Vault