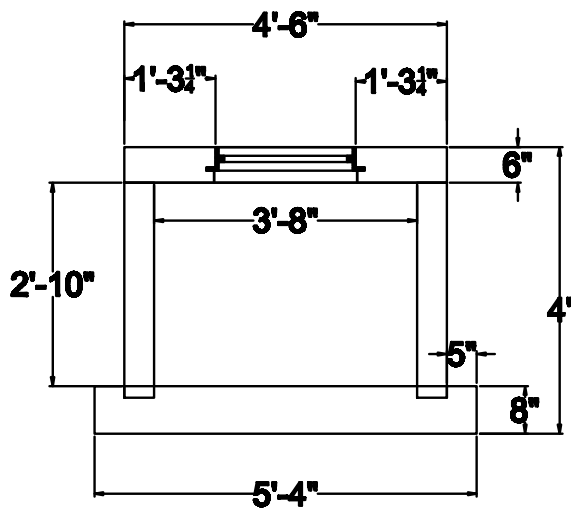
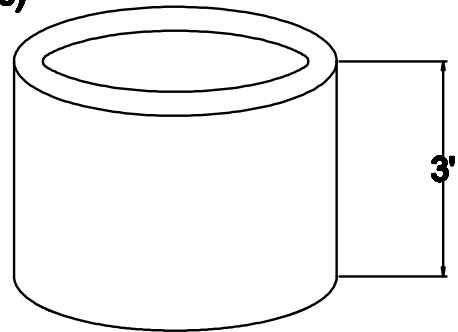
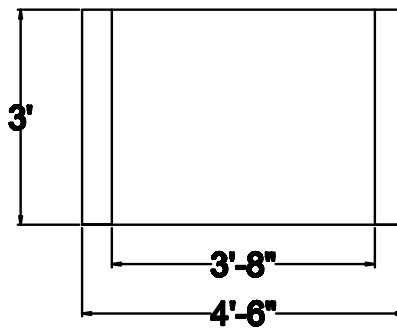


Top View



Elevation



36" Extension Section

Reinforced with #5 bars each way in base
 6 x 6 - 6 / 6 w.w.m. and #4 bars in walls
 2 layers of #5 bars in cover with USF frame w/cover

Custom heights available

**C. I.
 Precast**

| | | |
|--------------------------------------|---------------|-------------------------|
| Title: 44" ID Manhole / Lift Station | | Date: November 27, 2011 |
| Standard Detail Sheet | | Revised: |
| Drawn by: Jim Parham | | |
| Checked by: | | |
| Shop Layout by: | | |
| Page: of | Scale: n.t.s. | Drawing No. SD - |