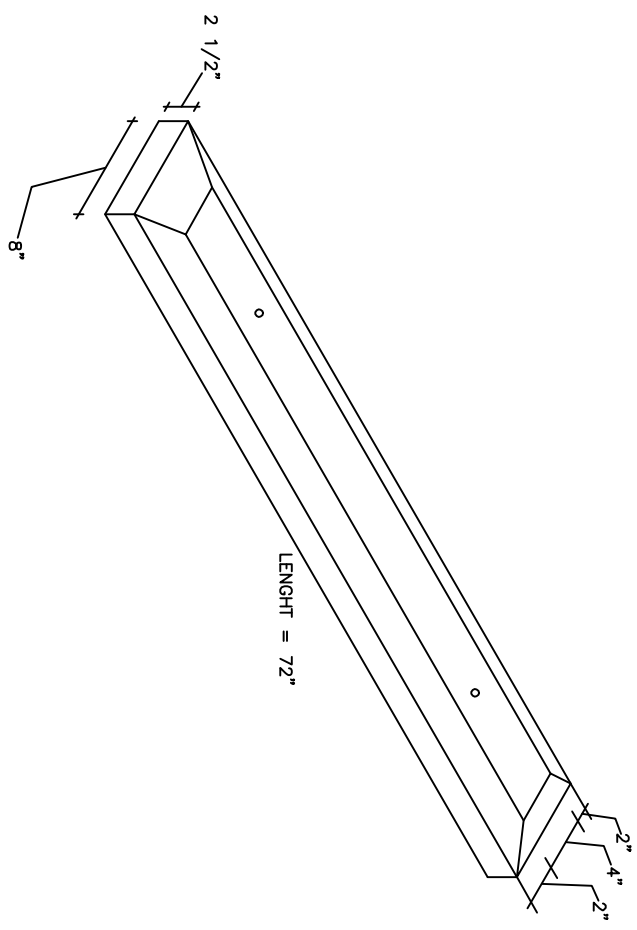


PLAN

SIDE ELEV.



Concrete Parkings stops are produced with 3500 psi concrete and reinforced with 2#4 bars. 2-3/4" holes 12" from each end allow stops to be anchored pavement using 1/2" or 5/8" rebar.

INDUSTRIAL PARKING STOP

DRAWN BY: FSS

SCALE: NTS

CHECKED BY: MJ/JP

**Phone: 945-8495
Fax: 945-4808**

